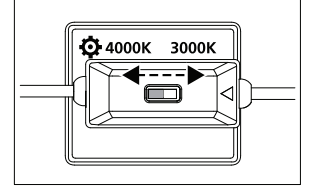
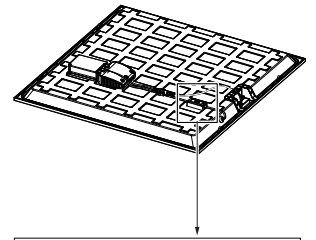
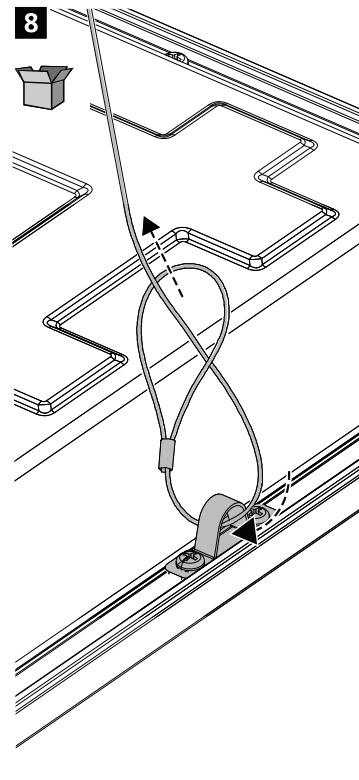
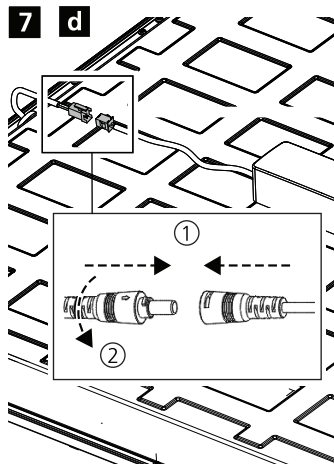
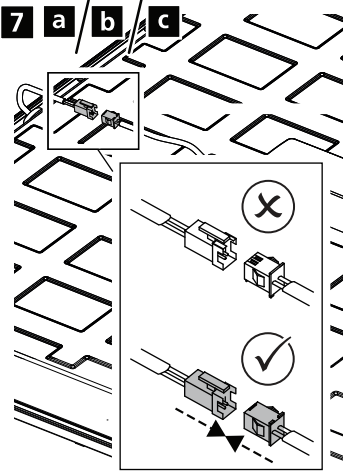
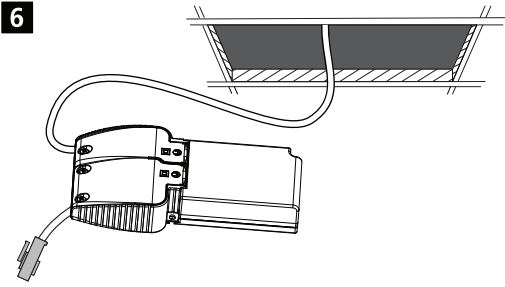


3c Bluetooth driver (SSA01D)
 4c(i) 220-240V~
 4c(ii) 220-240V~
 Total Max. 7A

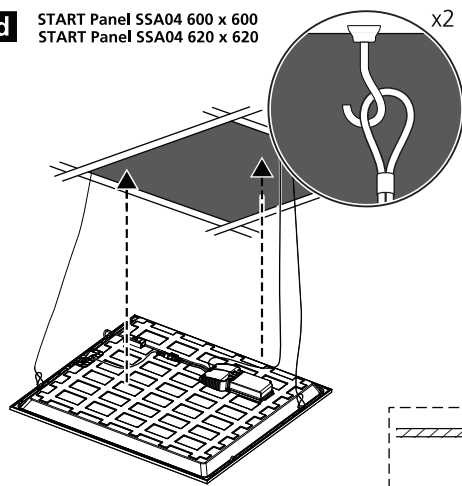
5c
3d Integrated sensor (SSA04)

4d(i) 220-240V~ + Switch-Dim
 4d(ii) 220-240V~ + Switch-Dim
 Total Max. 8A
 5d

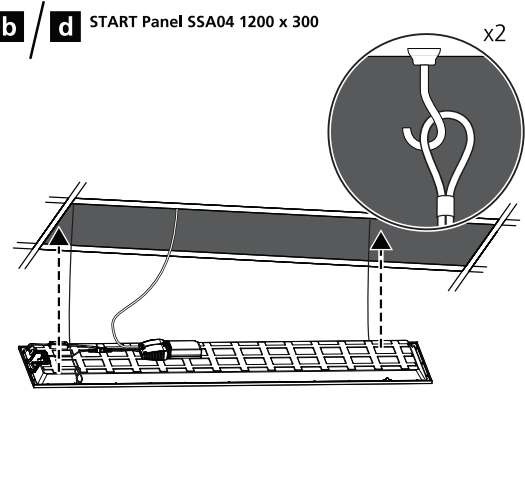


Factory Settings

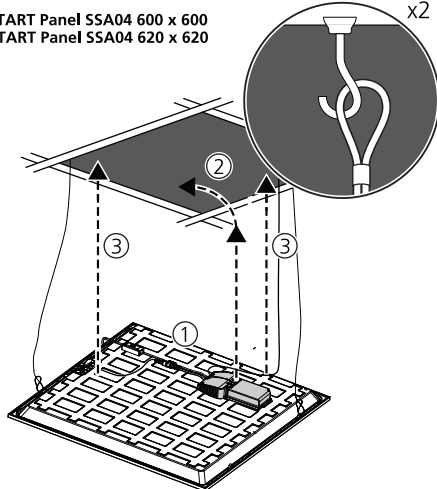
9A a / b / d START Panel SSA04 600 x 600
START Panel SSA04 620 x 620



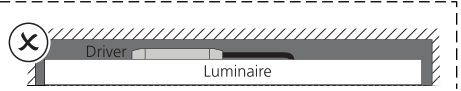
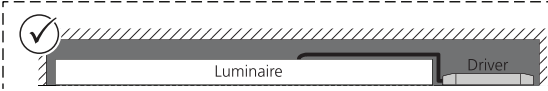
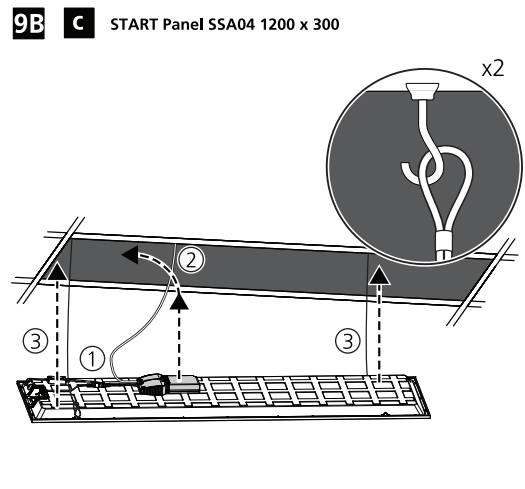
9B a / b / d START Panel SSA04 1200 x 300



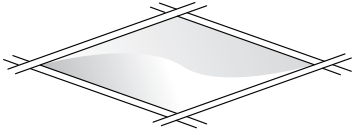
9A c START Panel SSA04 600 x 600
START Panel SSA04 620 x 620



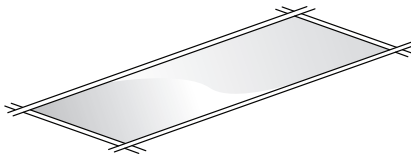
9B c START Panel SSA04 1200 x 300



10A START Panel 600 x 600
START Panel 620 x 620



10B START Panel 1200 x 300



! Y-type

